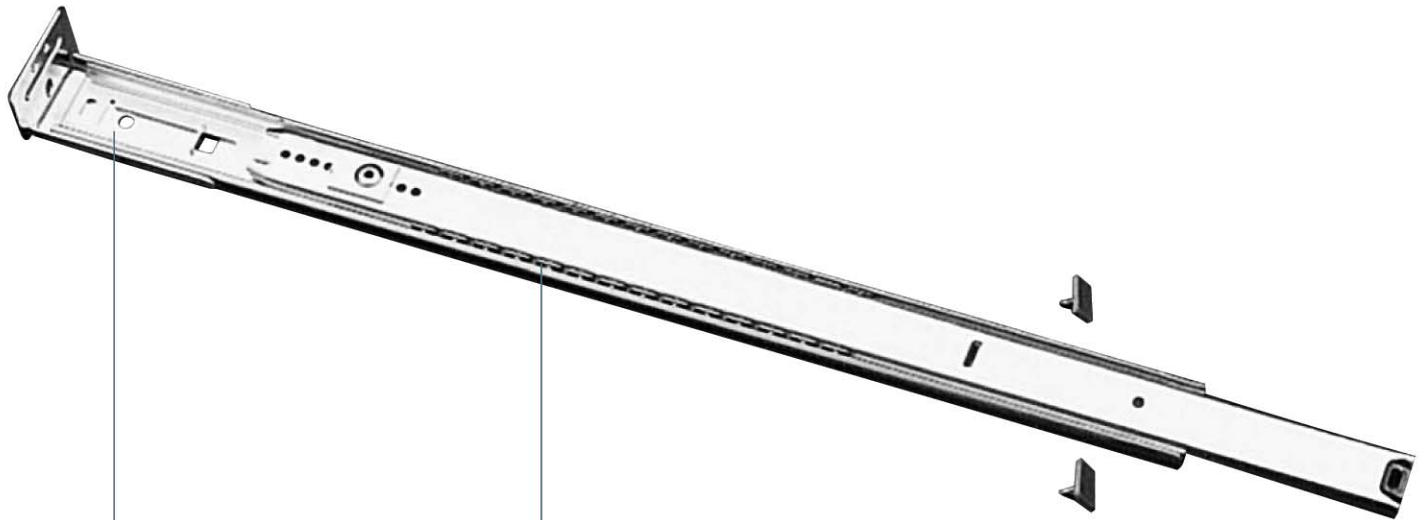


FR 5090

SLIDE TYPE:	Regular-Extension Ball Bearing Drawer Slide
MOUNTING:	Center Mount

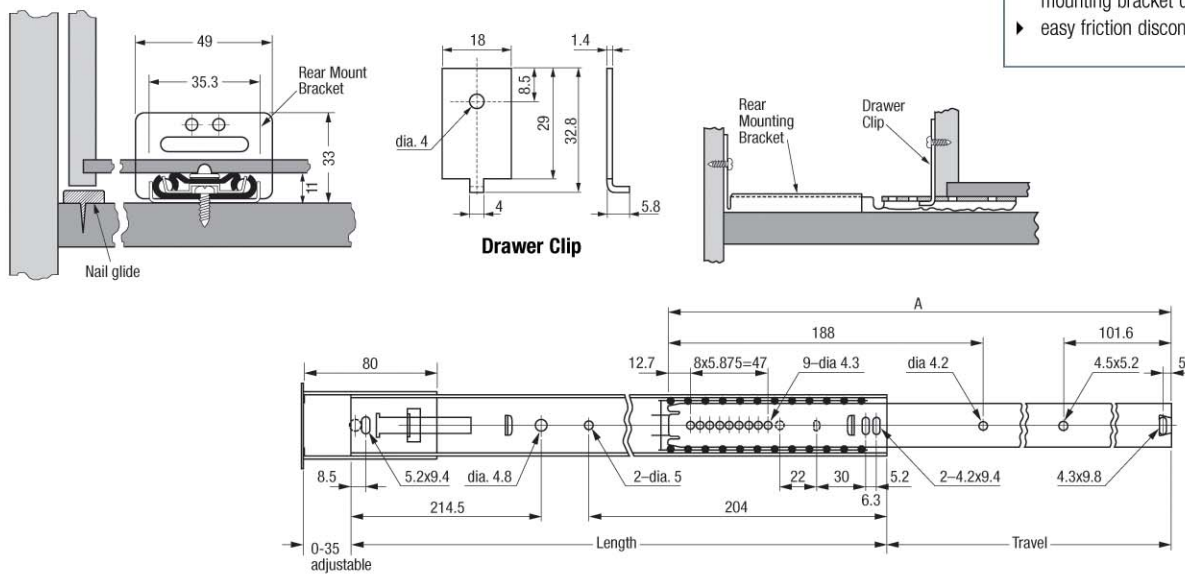
WIDTH:	11 mm (0.43 in.)
LOAD CAPACITY:	dynamic up to 22 kg (50 lbs.) (per pair)



MATERIAL:	cold rolled steel
------------------	-------------------

FEATURES:	steel ball bearings
------------------	---------------------

SPECIFICATIONS:
<ul style="list-style-type: none"> ▶ recommended for lighter duty applications ▶ one or two slides under drawer with adjustable rear mounting bracket drawer clip and two nail glides ▶ easy friction disconnect



Length	Travel		A		Fit Drawer Length:		Fit Cabinet Depth:		Weight		Order No.
	mm	in	mm	in	mm	in	mm	in	kg	lbs	
302	11.89	180	7.09	302	11.89	248-296	9.76-11.65	307-345	12.09-13.58	*	*
325	12.80	217	8.54	325	12.80	270-318	10.63-12.52	330-368	12.99-14.49	*	*
375	14.76	267	10.51	375	14.76	321-368	12.64-14.49	381-419	15.00-16.50	*	600015
400	15.75	280	11.02	400	15.75	345-392	13.58-15.43	407-445	16.02-17.52	*	*
425	16.73	305	12.01	425	16.73	372-419	14.65-16.50	432-470	17.01-18.50	*	600016
450	17.72	292	11.50	450	17.72	397-444	15.63-17.48	457-495	18.00-19.49	*	*
476	18.74	318	12.52	476	18.74	422-470	16.61-18.50	483-521	19.02-20.51	*	600046
531	20.91	372	14.65	531	20.91	473-521	18.62-20.51	533-572	20.98-22.52	*	600047
578	22.76	419	16.50	578	22.76	524-572	20.63-22.52	584-622	22.99-24.49	*	600049
629	24.76	445	17.52	629	24.76	575-622	22.64-24.49	635-673	25.00-24.50	*	600021
679	26.73	471	18.54	679	26.73	624-672	24.57-26.46	658-723	26.97-28.47	*	*

Packing Unit: 40 pcs. per box. 1 piece consisting of: 1 slide, 1 rear mounting bracket, 2 nail glides, screws included *on request